



City of Carpinteria

Building & Safety Accessibility Regulations

(California Title 24, Part 2) For full explanation see text of regulations

I. SITE ACCESS

A. Sidewalks

Minimum width: 4'0"

Cross slope: 1/4" foot maximum

Maximum slope: 1:20 (If steeper, must comply with ramps)

Curb cut: 4'0" minimum width (Figure 1)

1/4" maximum vertical change with 1/4" maximum bevel = 1/2" maximum level change

(Similar to threshold - Figure 8)

5' long landings every 400 feet.

No gratings in walk (1/2" maximum perpendicular opening)

B. Exterior Stairs Striping

2" wide contrasting stripes at upper approach and all treads

C. Parking

1 space per 25 spaces

Maximum slope: 1/4" foot

18' long x 14' wide (9' parking and 5' loading area strip). Two spaces may share the same loading area (Figure 2). For van accessible: 12' parking and 5' loading area. 9' parking and 8' loading is allowed. At least one van accessible parking space is required.

"No parking" painted on loading area

Located near primary entrance - wheelchair person shall not have to go behind other parked cars

Provide wheel stop to prevent encroachment over sidewalk

Signs: 36" square blue symbol on pavement and post a 70" square sign at each space and a 17" x 22" sign stating, "Unauthorized vehicles not displaying placards...will be towed away..." at each entrance to parking lot.

D. Hazards

Minimum height to overhanging obstructions (light, signs, etc.): 80" (Figure 3)

6" warning curbs at abrupt changes in level of 4" or more (not at driveways and roads - at fountains, planters, etc.)

E. Signs

Identify accessible entrances by the International Symbol of Accessibility. Provide additional directional signs as required.

II. BUILDING ACCESS

A. Entrances

All primary entrances shall be accessible

60" level space at outswinging doors/48" at inswinging doors (Figure 4)

24" width at strike side on outswinging exterior door/18" at interior door (Figure 4)

B. Ramps (Figure 6)

Maximum slope: 1:12

Minimum width: 48" (60" for occupant load greater than 300)

Landings: Top 60" minimum or 42" plus width of door where it swings over landing.
Bottom 72" minimum in direction of downward travel

Intermediate landings: At each turn and at change in level greater than 30" in vertical rise

Handrails: Each side when steeper than 1:20 and 12" extension top and bottom

Curb or rail: 2" - 4" above ramp each side

C. Doors and Hardware

36" door (32" minimum clear)

Height: 6' 8"

10' minimum high smooth surface at push side of door bottom (Figure 7)

Threshold height: 1/2" maximum (Figure 8)

Hardware: Lever, push/pull or panic bars mounted 34" - 44" high.

Maximum door opening effort: 5 lb. exterior & interior, and 15 lb. fire door D.

D. Protruding Objects

Maximum from wall where object is between 27"- 80" high: 4" (Figure 14)

Maximum for objects on posts: 12" (Figure 3)

Minimum clear headroom: 80"

E. Stairways (Figure 9)

Handrails: To be on each side Extend 12" beyond top nosing and 12" plus the tread width beyond the bottom nosing

Treads, Nosings and Risers: Nosing not to project more than 1^{1/4}" past the face of riser below
Risers shall be solid to prevent passage of objects larger than 1/4"

Striping: 2" wide contrasting stripe at upper approach and lower tread

F. Vestibule

See Figure 5

III. SANITARY AND DRINKING FACILITIES

A. Accessibility

Separate for each sex when non-handicap have separate facilities

All sanitary facilities on all floors shall meet handicap regulations

All doorways leading to such facilities shall provide 32" net opening.

60" clear space in front of outswinging doors/44" at in-swinging doors

B. Bathrooms (Figure 11-A)

Symbolized sign on door indicating sex - Men: equilateral triangle 12" per side; Women: 12" diameter circle - 1/4" thick material, contrasting color, 60" high; wall signage. see figure 11-A

Clear space: 58"-60" diameter or 56" x 63" (12" maximum door intrusion)

C. Water Closet Compartment Multiple Accommodation (Figure 10)

48" space in front (60" for side entry)

32" net opening, self-closing (34" opening for side entry)

Grab bars: 42" long at side and 24" in front of stool, 36" long at rear, 33" high (higher if necessary to clear tank 3" minimum) with support backing, 1^{1/4}" - 2" diameter and 1^{1/2}" clear.

D. Single Accommodation Toilet (Privacy Toilet) (Figure 11)

Lockable door

Space in front of water closet: 48"

Grab bars: Same as "Water Closet Compartment"

Clear Space: 60" diameter circle

E. Showers

Compartment Showers: See Figure 12

Open Showers: Accessible shower to be located in a corner with "L" shaped grab bars extending along two adjacent walls.

F. Lockers

One/at least one percent to be made accessible.

G. Fixtures and Accessories

Lavatories: 30" wide x 48" frontal clearance, 29" clear beneath, knee clearance 30" wide x 8" deep, toe clearance 30" wide x 17" deep, hot water and drain insulated, controls easily openable (lever, etc.).

Urinals: 30" wide x 48" frontal clearance elongated rim, 17" maximum above floor, flush control 44" maximum height and on the wide side; projection from wall 13^{1/2}" min.

Water Closet: Toilet seat 17" to 19" above floor, flush control oscillating handle

Mirrors, towel,
& soap dispenser: 40" maximum above floor.

Toilet paper : Centered 7" - 9" maximum from front of toilet

H. Drinking Fountains (Figure 13)

Alcoves:	32" wide, 18" minimum depth, 27" clear beneath
Controls:	Lever or push bar
Bubbler:	5" maximum from front, 36" maximum from floor

IV. MISCELLANEOUS

A. Electrical

Switches for lights, HVAC, fire alarm, etc.:	Max. 48" from floor
Outlets:	15" to bottom of outlet above finished floor

B. Telephones

See Figure 15

C. Elevators

Elevators with on center door panels:	Minimum inside car dimensions to be 80" wide, 54" depth
Elevators with off center door panels:	Minimum inside care dimensions to be 68"wide, 54" depth

Location: Elevators to be located near a major path of travel

Doorways: Minimum clear width 36"

Handrails: Handrail on wall of the car 32" +– 1"

(Refer to CBC 11B-407.4.6)

Car operation buttons: Buttons to be within 4"- 6" of the car floor Emergency controls to be grouped and located at the bottom of the panel not lower than 2'-11". Minimum dimension of buttons to be 3/4" and shall be raised. In addition to standard symbols, all control buttons to be designated by the Braille symbol located immediately to the left of each button.

The number of each floor is to be marked on both elevator jambs in raised Braille and Arabic numerals.

Telephone handset: Not higher than 4'- 0"

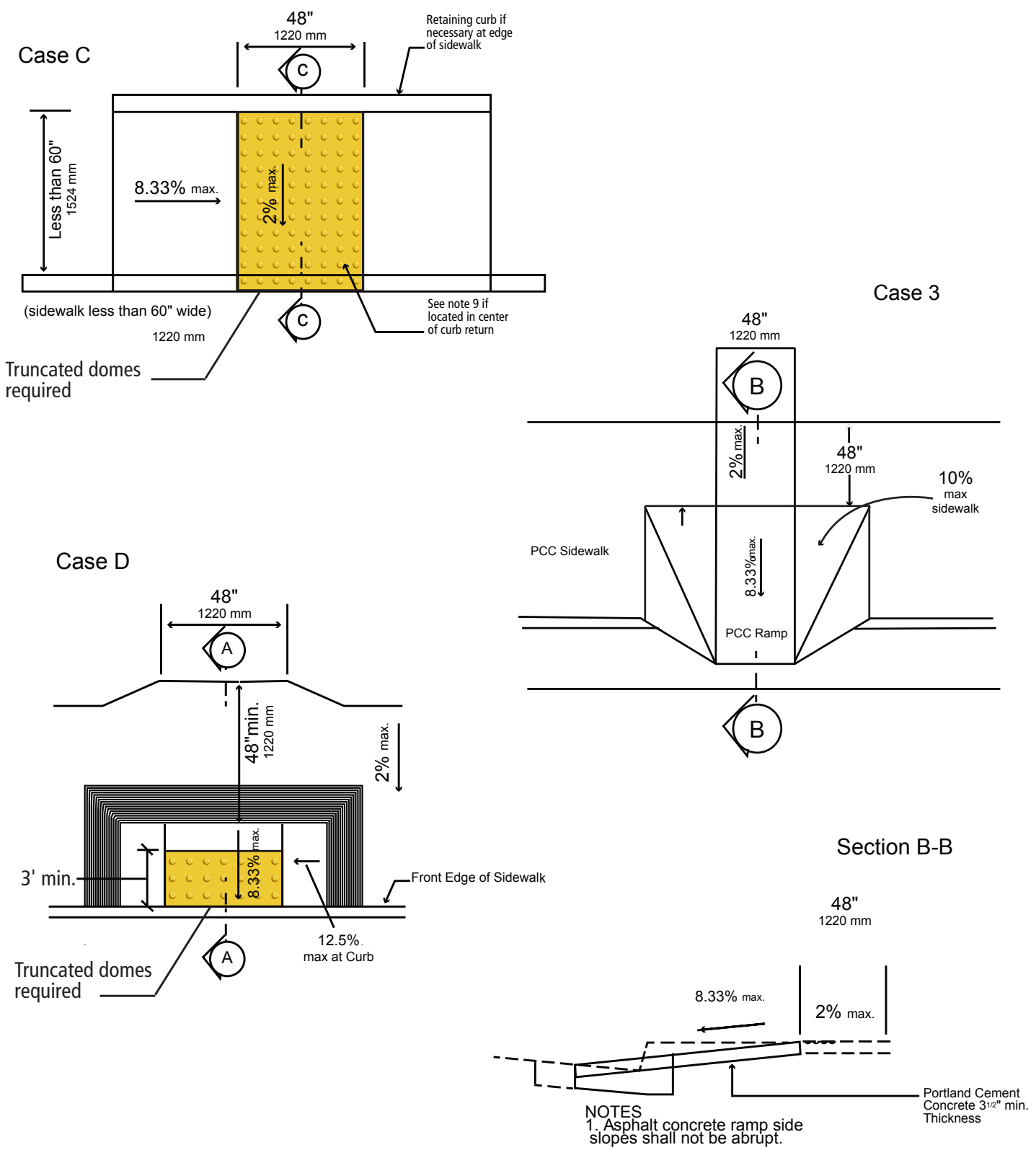
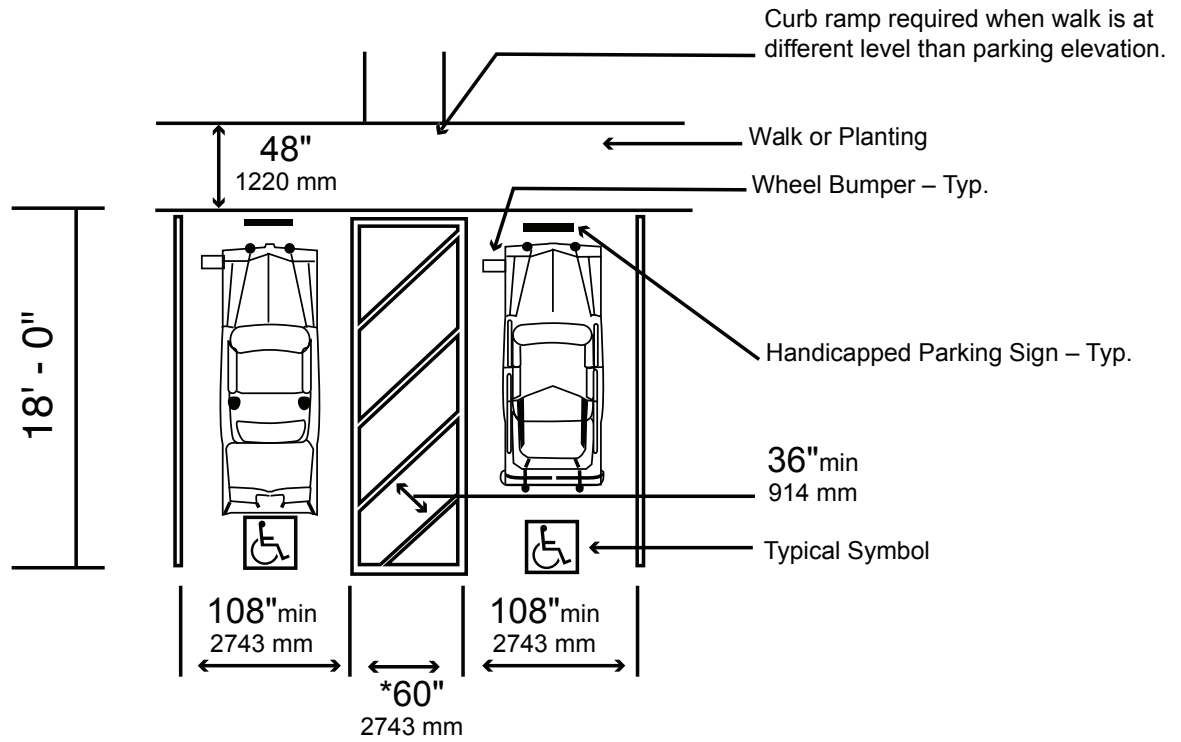


Figure 1



Handicapped Spaces, Double Type

*For Van Accessible 96" one minimum required

Figure 2

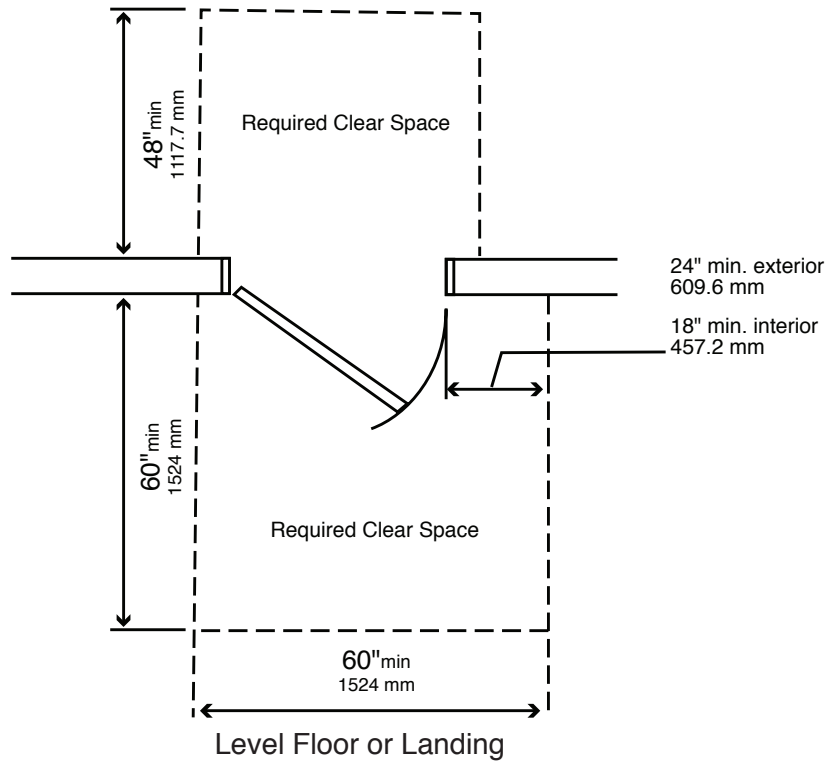


Figure 4

This diagram illustrates the specific requirements of these regulations and is intended only as an aid for building design and construction.

Vestibule

The space between two consecutive door openings in a vestibule, serving other than a required exit stairway shall provide a minimum of 48" (1,219.20 mm) of clear space from any door opening into such vestibule when the door is positioned at an angle of 90 degrees from its

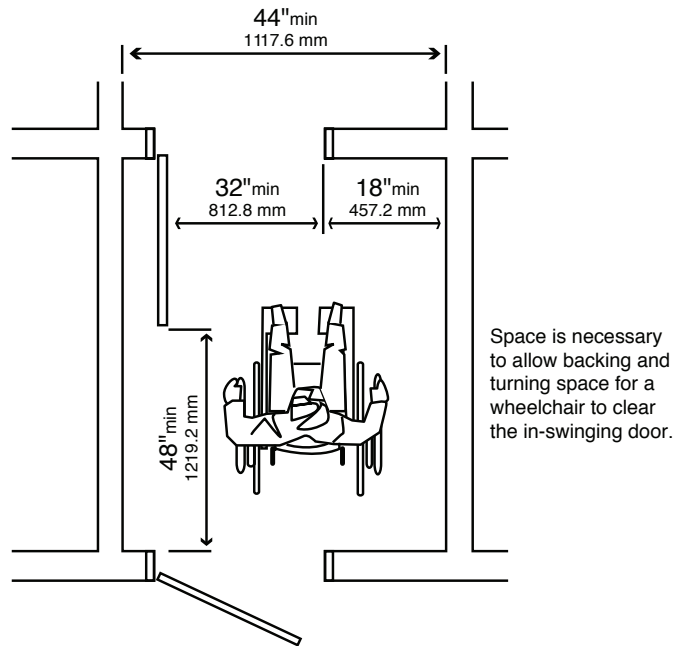
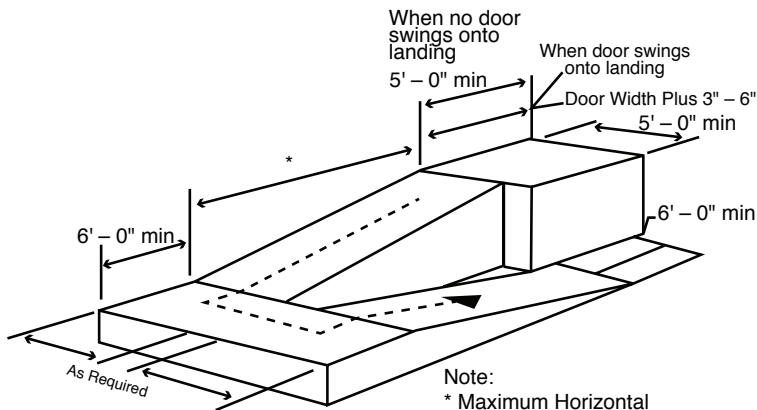
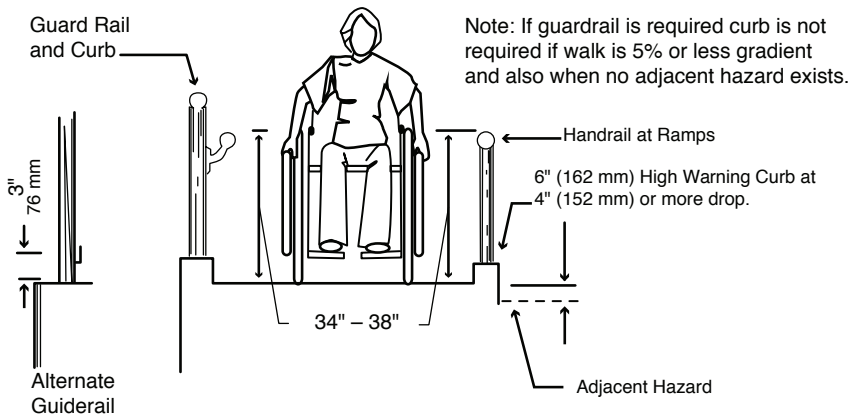
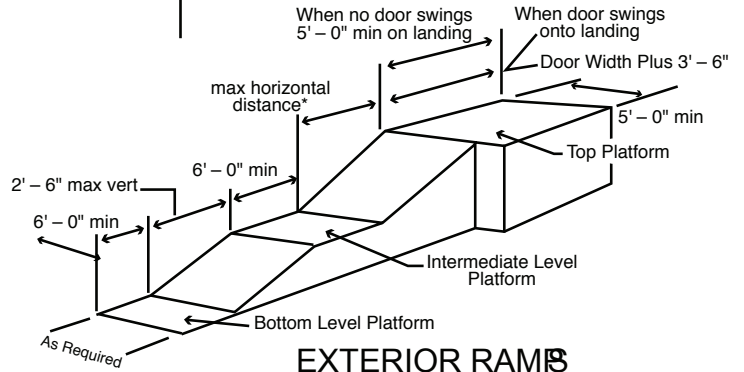
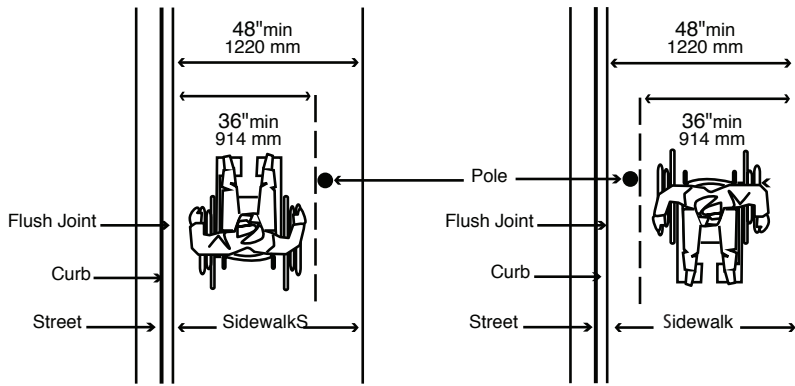


Figure 5



Note:
* Maximum Horizontal Distances of each ramp and run varies.

All ramps must meet handrail and curb requirements.

EXTERIOR RAMPS

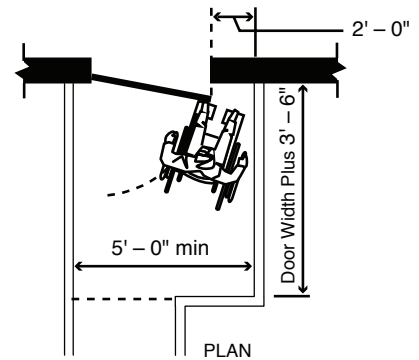


Figure 6

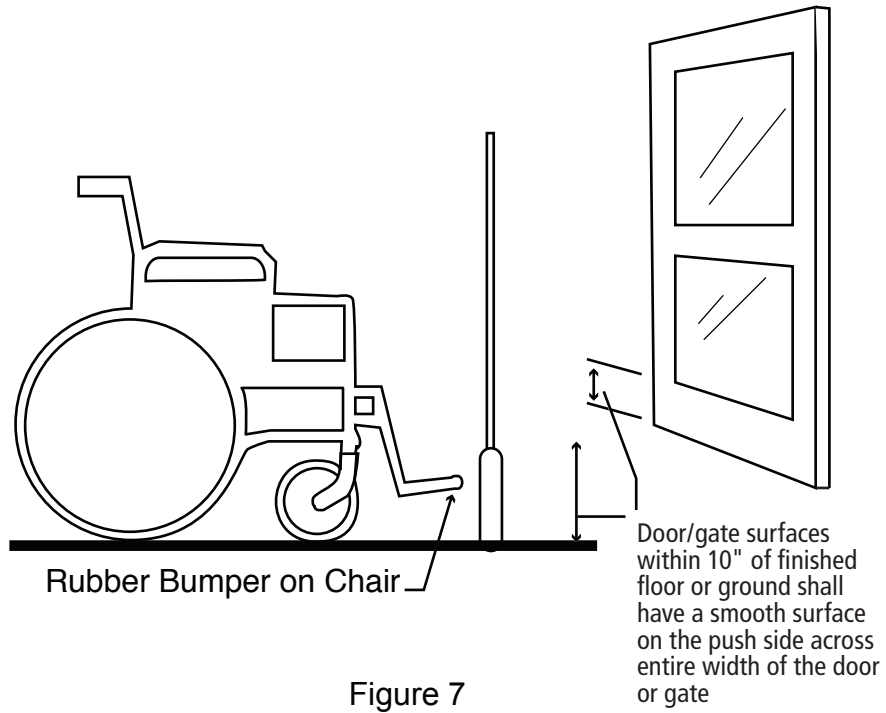


Figure 7

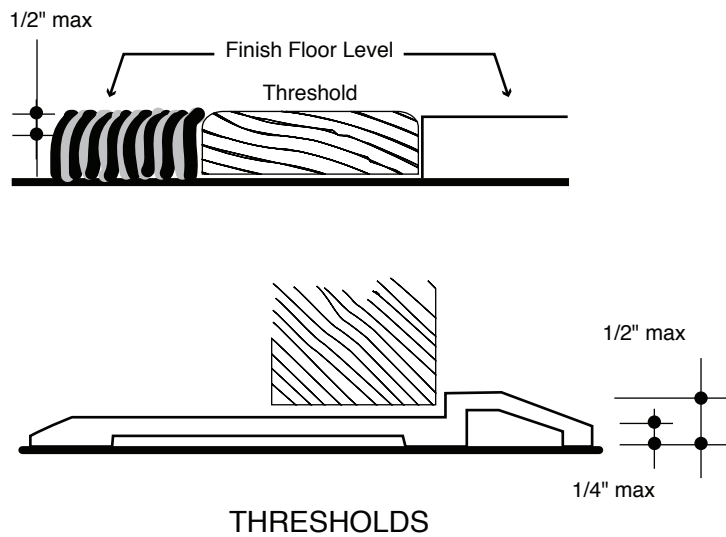


Figure 8

11B-505.7.1 Circular Cross Section. Handrail gripping surfaces with a circular cross section shall have an outside diameter of $1\frac{1}{4}$ inches (32 mm) minimum and 2 inches (51 mm) maximum.

11B-505.7.2 Non-Circular Cross Sections. Handrail gripping surfaces with a non-circular cross section shall have a perimeter dimension of 4 inches (102 mm) minimum and $6\frac{1}{4}$ inches (159 mm) maximum, and a cross-section dimension of $2\frac{1}{4}$ inches (57 mm) maximum.

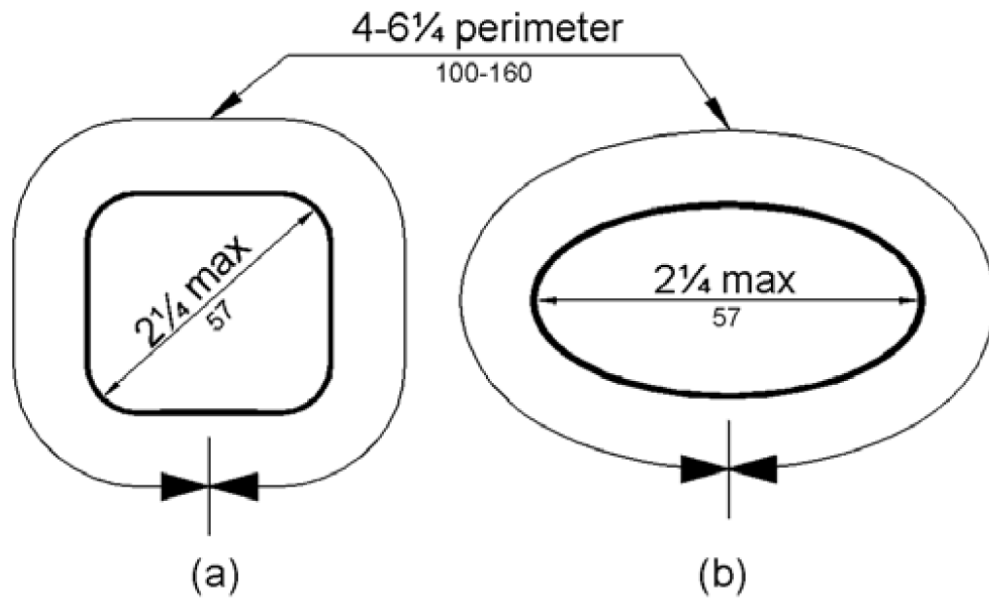


Figure 11B-505.7.2
Handrail Non-Circular Cross Section

WARNING STRIPING AND HANDRAIL EXTENSIONS

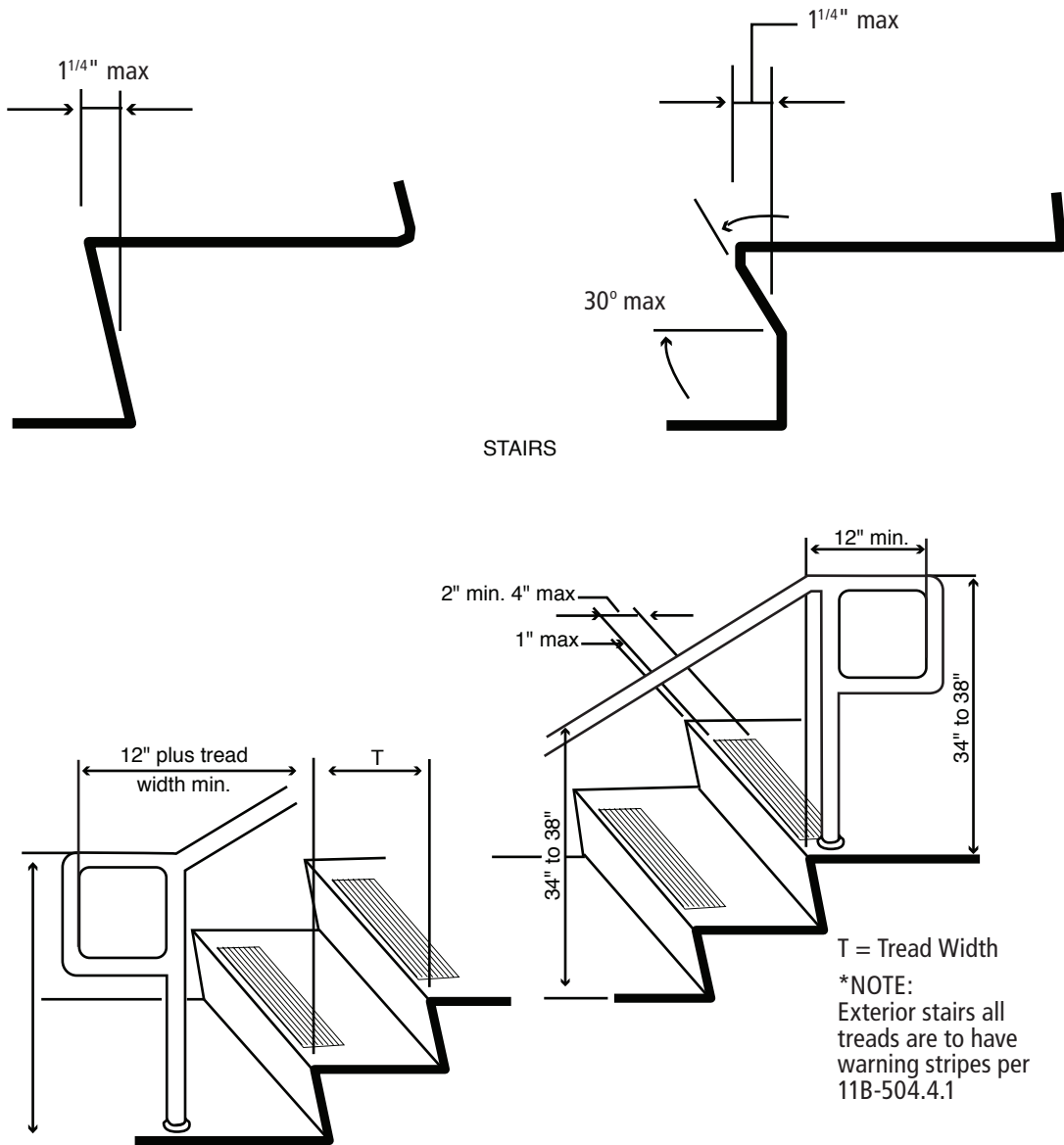
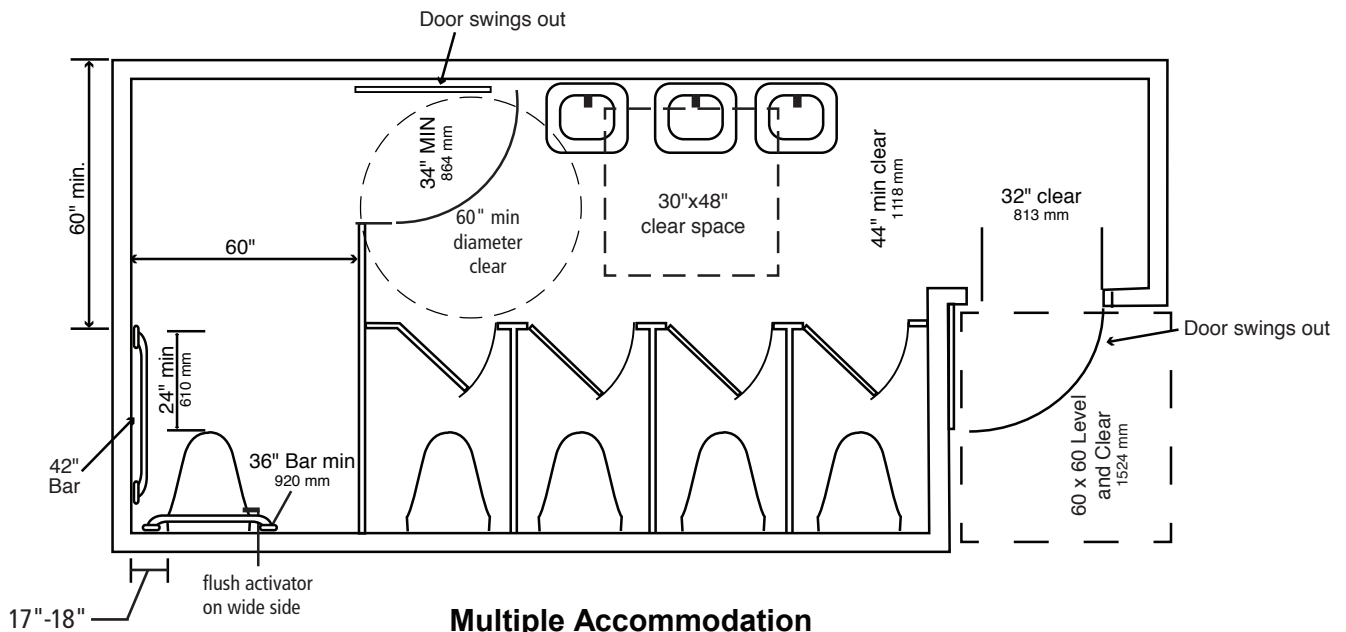
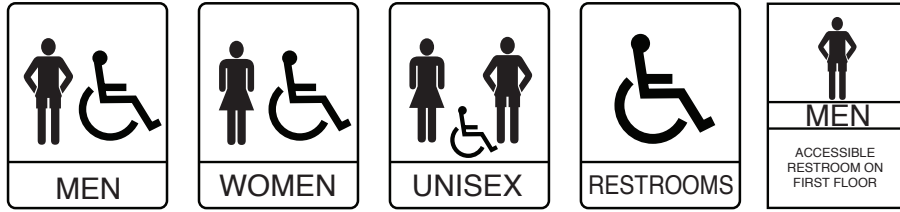


Figure 9

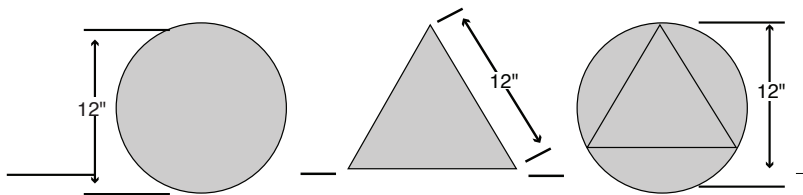


Multiple Accommodation
 Figure 10

General Requirements Sanitary Facilities

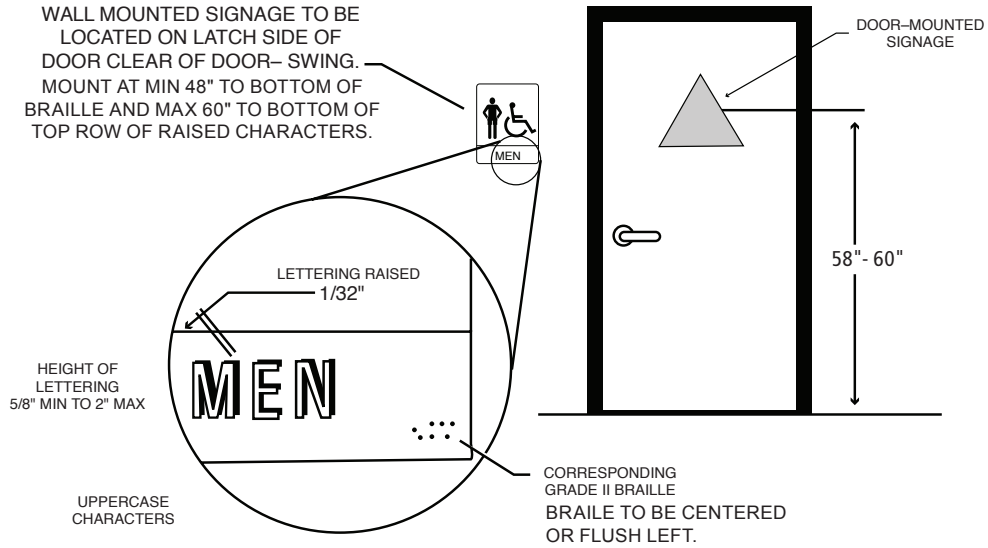


WALL-SIGNAGE (TYP.)



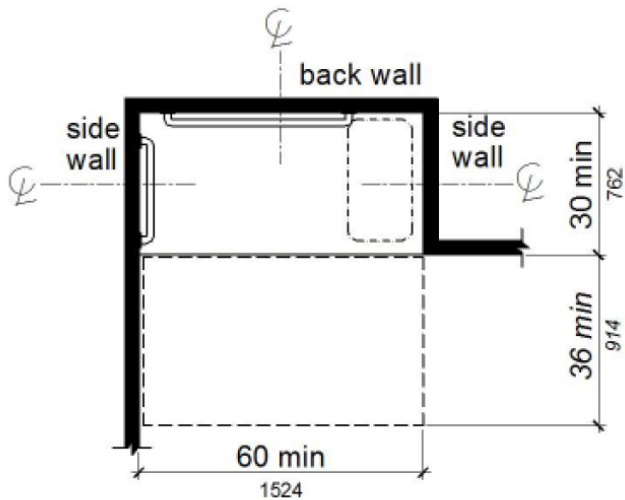
DOOR MOUNTED SIGNAGE (TYP.)

NOTE: PICTOGRAMS AND /OR LETTERING ARE NOT REQUIRED ON DOOR MOUNTED SIGNAGE.



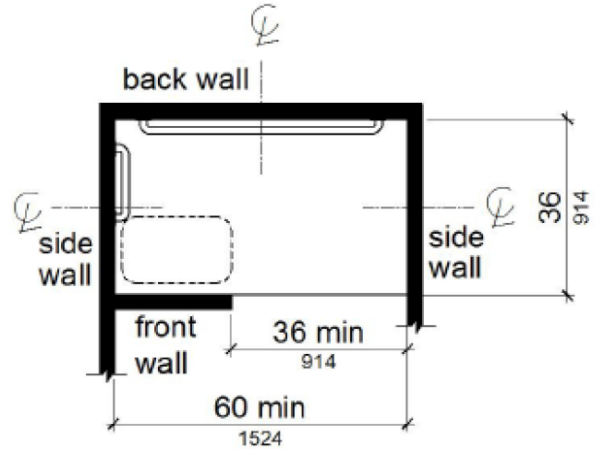
IDENTIFICATION SYMBOLS FOR SANITARY FACILITIES

Figure 11A



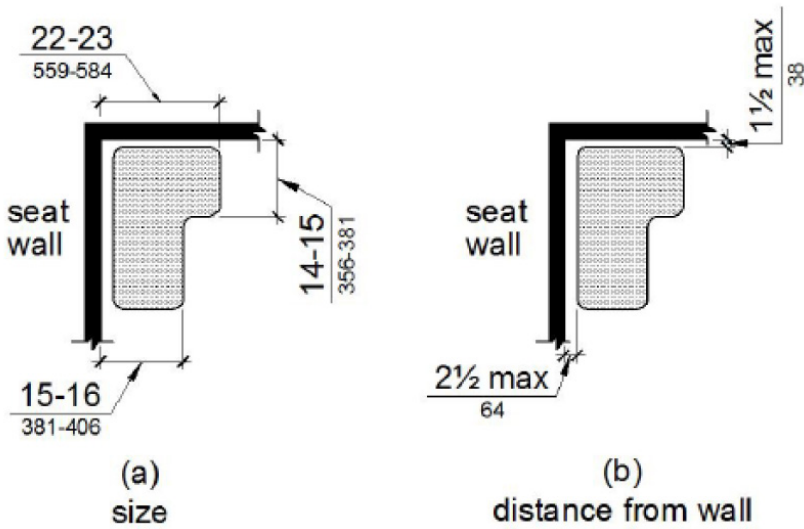
Note: inside finished dimensions measured at the center points of opposing sides

**FIGURE 11B-608.2.2
STANDARD ROLL-IN TYPE
SHOWER COMPARTMENT SIZE AND CLEARANCE**

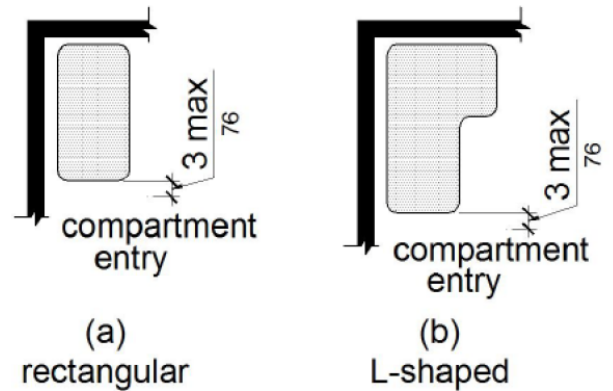


Note: inside finished dimensions measured at the center points of opposing sides

**FIGURE 11B-608.2.3
ALTERNATE ROLL-IN TYPE
SHOWER COMPARTMENT SIZE AND CLEARANCE**



**FIGURE 11B-610.3.2
L-SHAPED SHOWER SEAT**



**FIGURE 11B-610.3
EXTENT OF SEAT**

ROLL-IN SHOWER

Figure 12

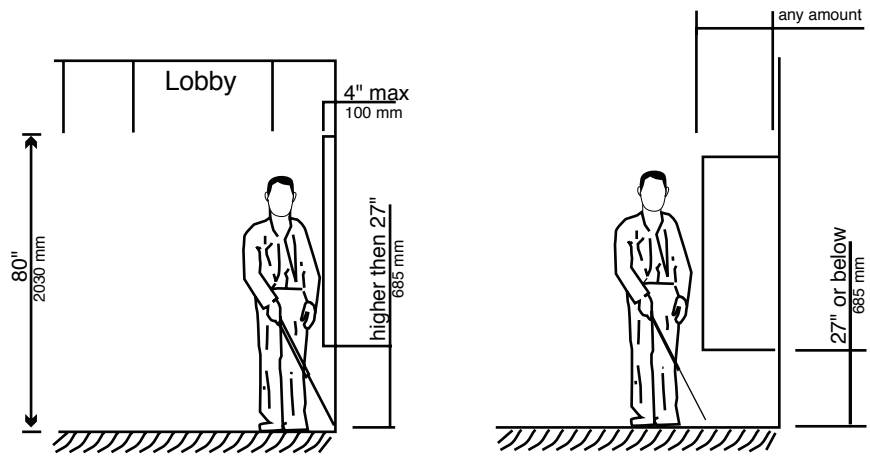
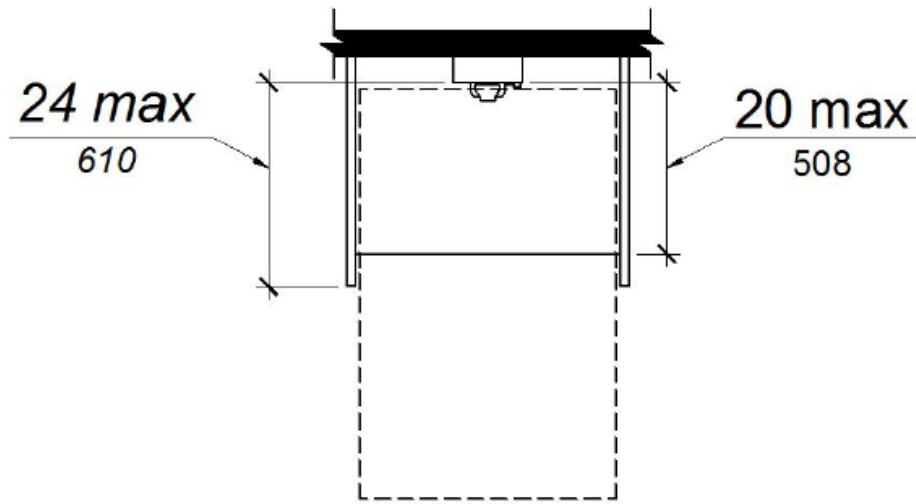
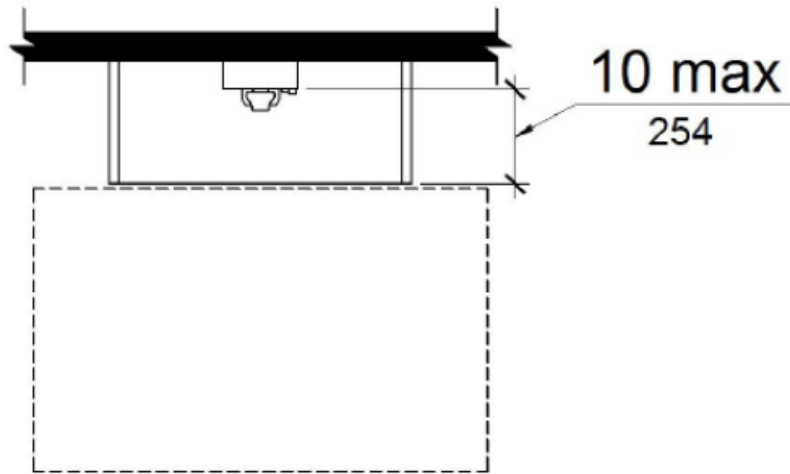


Figure 14



**FIGURE 11B-704.2.1.2
FORWARD APPROACH TO TELEPHONE**



**FIGURE 11B-704.2.1.1
PARALLEL APPROACH TO TELEPHONE**